

ATM Series

W21.5×H28mm Miniature Timer

NEW

■ Features

- Miniature Size (W21.5×H28×D58mm)
- 4c (4PDT) contact (250VAC, 3A)
- High precise time control
- Easy time setting using dial
- Various time ranges: 0.1 sec. to 3 hour
(11 time ranges, different by models)
- Power supply
 - ATM4-2: 24VDC
 - ATM4-5: 220VAC 50/60Hz
 - ATM4-6: 110VAC 50/60Hz



Mounting My socket
(sold separately)

■ Ordering Information

| | | | | | |
|------------|----------|----------|-----------|----------|-------------------------|
| ATM | 4 | 5 | 10 | S | |
| | | | | | Time unit |
| | | | | | Time range |
| | | | | | Power supply |
| | | | | | Output |
| | | | | | Item |
| | | | | S | Sec. (1, 5, 10, 30, 60) |
| | | | | M | Min. (3, 5, 10, 30, 60) |
| | | | | H | Time (3) |
| | | | | | Number |
| | | | | | Max. time range |
| | | | | 2 | 24VDC |
| | | | | 5 | 220VAC 50/60Hz |
| | | | | 6 | 110VAC 50/60Hz |
| | | | | 4 | 4c (4PDT) |
| | | | | ATM | Miniature Analog Timer |

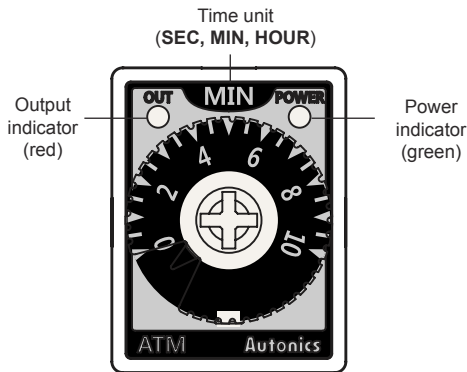
■ Specifications

| Model | ATM4 - 2□S 2□M 23H | ATM4 - 5□S 5□M 53H | ATM4 - 6□S 6□M 63H |
|------------------------------|--|--------------------------|--------------------------|
| Function | Power ON Delay | | |
| Control time setting range*1 | 0.1sec. to 3hour | | |
| Power supply | 24VDC | 220VAC 50/60Hz | 110VAC 50/60Hz |
| Allowable voltage range | 21.6 to 26.4VDC | 200-230VAC 50/60Hz | 100-120VAC 50/60Hz |
| Power consumption | Approx. 1.2W | Approx. 3VA | Approx. 3VA |
| Reset time | Max. 100ms | | |
| Time operation | Power ON Start type | | |
| Control output | Contact type 4PDT (4c) | | |
| | Contact capacity 250VAC 3A resistive load | | |
| Relay life cycle | Mechanical Min. 10,000,000 operations | | |
| | Electrical Min. 200,000 operations | | |
| Repeat error | Max. ±0.5% ±10ms | | |
| SET error | Max. ±10% ±50ms | | |
| Voltage error | Max. ±0.5% ±10ms | | |
| Temperature error | Max. ±2% ±10ms | | |
| Insulation resistance | 100MΩ (at 500VDC megger) | | |
| Dielectric strength | 3,000VAC 50/60Hz for 1 min. | | |
| Noise | ±2kV the square wave noise (pulse width: 1μs) by noise simulator | | |
| Vibration | Mechanical 0.75mm amplitude at frequency of 10 to 55Hz (for 1 min.) in each X, Y, Z direction for 1 hour | | |
| | Electrical 0.5mm amplitude at frequency of 10 to 55Hz (for 1 min.) in each X, Y, Z direction for 10 min. | | |
| Shock | Mechanical 300m/s ² (approx. 30G) in each X, Y, Z direction 3 times | | |
| | Electrical 100m/s ² (approx. 10G) in each X, Y, Z direction 3 times | | |
| Environment | Ambient temperature -10 to 50°C, storage: -25 to 65°C | | |
| | Ambient humidity 35 to 85%RH, storage: 35 to 85%RH | | |
| Weight*2 | Approx. 48g (approx. 42g) | | |

※1: Refer to time specifications for control time setting range by model.
 ※2: The weight includes packaging. The weight in parentheses is for unit only.
 ※Environment resistance is rated at no freezing or condensation.

Miniature Timer

Unit Descriptions

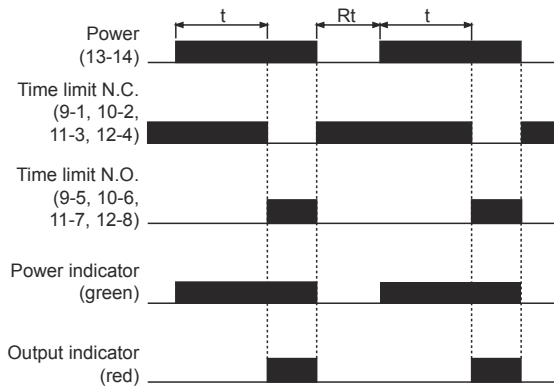


Time Specifications

| Model | Time unit | Time setting range |
|-----------|-----------|--------------------|
| ATM4-□1S | SEC | 0.1 to 1sec. |
| ATM4-□5S | | 0.5 to 5sec. |
| ATM4-□10S | | 1 to 10sec. |
| ATM4-□30S | | 3 to 30sec. |
| ATM4-□60S | MIN | 6 to 60sec. |
| ATM4-□3M | | 0.3 to 3min. |
| ATM4-□5M | | 0.5 to 5min. |
| ATM4-□10M | | 1 to 10min. |
| ATM4-□30M | MIN | 3 to 30min. |
| ATM4-□60M | | 6 to 60min. |
| ATM4-□3H | | HOUR |

Operation specifications

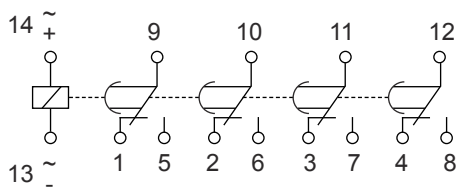
t : setting time, Rt : return time



Connections

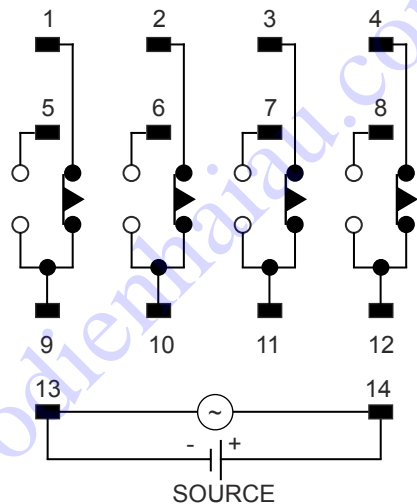
| | | |
|---------|--------------------------|------------------------|
| SOURCE | ATM4-2□□ | 24VDC 1.2W |
| | ATM4-5□□ | 200-230VAC 50/60Hz 3VA |
| | ATM4-6□□ | 100-120VAC 50/60Hz 3VA |
| CONTACT | 250VAC 3A RESISTIVE LOAD | |

IEC marking



※IEC marking is on the unit.

NEMA marking

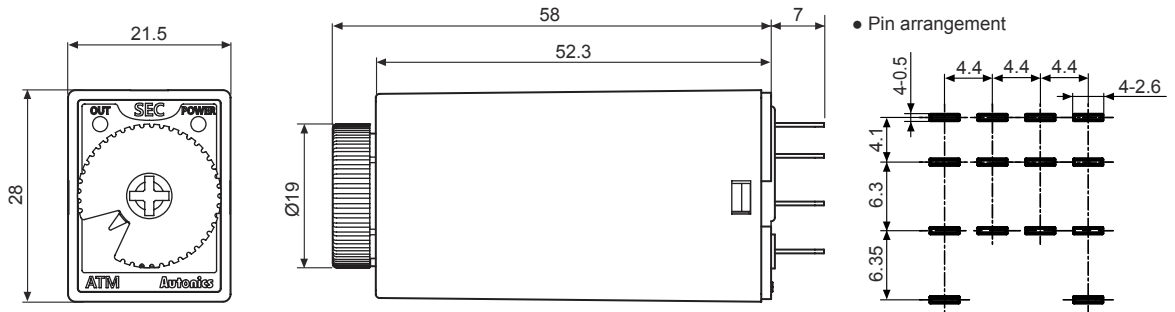


- (A) Photoelectric Sensors
- (B) Fiber Optic Sensors
- (C) Door/Area Sensors
- (D) Proximity Sensors
- (E) Pressure Sensors
- (F) Rotary Encoders
- (G) Connectors/ Sockets
- (H) Temperature Controllers
- (I) SSRs / Power Controllers
- (J) Counters
- (K) Timers
- (L) Panel Meters
- (M) Tacho / Speed / Pulse Meters
- (N) Display Units
- (O) Sensor Controllers
- (P) Switching Mode Power Supplies
- (Q) Stepper Motors & Drivers & Controllers
- (R) Graphic/ Logic Panels
- (S) Field Network Devices
- (T) Software

ATM Series

■ Dimensions

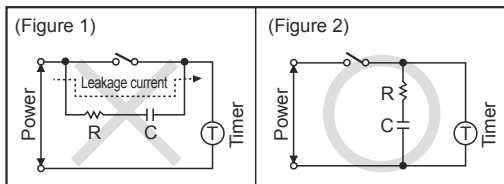
(unit: mm)



※Use My socket which is commercially available.

■ Proper Usage

- For DC power supply type, be sure to check the polarity of terminals.
- Please supply power quickly at once with using switch or relay contact. Otherwise it may cause time error or power reset failure.
- When supplying the power to the timer, connection shown in (Fig. 1) might cause malfunction due to leakage current through R and C. Please connect R and C as shown in (Fig. 2) to prevent malfunction.
- Do not use this unit at below places.
 - Place where temperature or humidity is out of the rated specifications.
 - Place where there is condensation by temperature changes.
 - Place where there is flammable gas or corrosive gas.
 - Place where there is dust, oil or severe vibration or impact.
 - Place where strong alkalis or acids is used.



Codienhaiou.com