

# RT9N

## INSTRUCTION MANUAL

Thank you for purchasing Hanyoung Nux products. Please read the instruction manual carefully before using this product, and use the product correctly. Also, please keep this instruction manual where you can view it any time.

**HANYOUNG NUX CO., LTD**  
28, Gilpa-ro 71beon-gil, Michuhol-gu, Incheon, Korea  
TEL : +82-32-876-4697  
http://www.hynux.com

MA0505KE180822

### Safety information

Please read the safety information carefully before the use, and use the product correctly. The alerts declared in the manual are classified into **Danger, Warning and Caution** according to their importance

<b>DANGER</b>	Indicates an imminently hazardous situation which, if not avoided, will result in death or serious injury
<b>WARNING</b>	Indicates a potentially hazardous situation which, if not avoided, could result in death or serious injury
<b>CAUTION</b>	Indicates a potentially hazardous situation which, if not avoided, may result in minor injury or properties damage

#### DANGER

- The input/output terminals are subject to electric shock risk. Never let the input/output terminals come in contact with your body or conductive substances.

#### WARNING

- If there is a possibility that a malfunction or abnormality of this product may lead to a serious accident, install an appropriate protection circuit on the outside and plan to prevent the accident.
- Since this product is not equipped with a power switch and fuse, install them separately on the outside (fuse rating: 250 V, 0.5 A).
- Please supply the rated power voltage, in order to prevent product breakdowns or malfunctions.
- To prevent electric shocks and malfunctions, do not supply the power until all the wiring is completed.
- The product does not have an explosion-proof structure, so avoid using it in places with flammable or explosive gases.

- Never disassemble, modify, process, improve or repair this product, as it may cause abnormal operations, electric shocks or fires.
- Do not touch the terminals while energizing, as electric shocks or malfunctions may occur.
- Please disassemble the product after turning OFF the power. Failure to do so may result in electric shocks, product abnormal operations or malfunctions.
- We recommend regular maintenance for the continuous safe use of this product. Some components of this product may have a lifespan or deteriorate over time.
- The warranty period of this product is 1 year, including its accessories, under normal conditions of use.

#### CAUTION

- Places in which the ambient temperature is out of the 0 ~ 50 °C range.
- Places in which the ambient humidity is out of the 35 ~ 85% RH range.
- Places in which the temperature changes suddenly or condensation occurs.
- Places exposed to corrosive gases (especially harmful gases, ammonia, etc.) or flammable gases.
- Places where vibrations and impacts are applied directly to the product body.
- Places with liquids, oils, chemicals, steams.
- Places with a lot of dirt, dust, salt, iron, etc.
- Places where large inductive interference, static electricity, magnetic noise can be generated easily.
- Places exposed to direct sunlight.
- Places where heat accumulation occurs due to radiant heat, etc.
- Install the 2 brackets on the fixed halls and tighten them with a screwdriver. The fixing torque is approx. 14.7 N·cm (1.5 kg·cm).
- When water enters, short circuit or fire may occur, so please inspect the product carefully.
- For thermocouple input, use a compensating cable
- For RTD input, use a cable with small lead wire resistance and without resistance difference among 3 wires.
- To avoid the inductive noise influence to input signal wires separate from the power and load wires.
- Keep input signal wires away from output signal wires and be sure to use shielded wires to ground.
- Use a non-grounded sensor for RTD and thermocouple.
- In places with a lot of noise, use the following procedure: connect a surge absorber to the contact coil side if the magnet contacts are connected to the relay contact output load

- When there is a lot of noise from the power, we recommend to use insulation transformer and noise filter. Please install the noise filter to a grounded panel or structure, etc. and make the wiring of noise filter output and product power supply terminal as short as possible.
- The product power line is effective when connected after twisting (tightly twisting is effective against noise).
- The preparation period of the contact output is required during power supply. If used as a signal to external interlock circuit, etc. please use a delay relay together.
- Use an extra relay when the frequency of operation (such as proportional operation, etc.) is high, because connecting the load to the output relay rating without any room shortens the service life. In this case, SSR drive output type is recommended.
- When using electromagnetic switch: the proportional cycle is at least 30 seconds.
- When using SSR: set proportional cycle to at least 2 seconds.
- Contact output life: Mechanical: min. 10 million times (no load) Electrical: min. 100 thousand times (rated load)
- SSR/current output: electrically insulated with internal circuit.
- If the alarm function is not set correctly, it will not be output in case of abnormal operation, so please check it before operation.
- When the input (sensor) is disconnected, the  $\alpha/\beta$  -overscale symbol will be displayed on PV display, then the  $\alpha/\beta$  -burn-out symbol will be displayed and the output will be turned OFF.
- When replacing the sensor, be sure to turn off the power.
- Please do not wipe the product with organic solvents such as alcohol, benzene, etc. (use neutral detergents).

### Suffix code

Model	Code	Content	
RT9N-	□ □ □ □	2-channel temperature controller & recorder 96(W) × 96(H)	
Control type	0	Temperature record only	
	1	Temperature record & control	
Number of channels	1	1 channel	
	2	2 channels	
Options	0	None (AL1 built-in)	
	1	AL2	Only control the same output type
	2	AL2, communication (RS485)	only for 1-channel models
	3	Communication (RS485)	

### Control output configuration

#### CAUTION

- Control output wiring
- When wiring or removing the control output, disconnect controller body and external power supply.
- Use shielded wires for voltage pulse/current output wiring.

Temperature controller & recorder	Output code (OUT1,OUT2)	Output type
RT9N - 1□□	0	No output (Temperature record only)
	1	Relay (ON/OFF control)
	2	SSR (Contactless relay)
	3	SCR (4 ~ 20 mA d.c.)
	4	Relay (PID control)

### Specifications

#### Input

Input types	- Thermocouple: K, J, E, T, R, B, S, L, N, U, WRε 5-26, PL-II (Refer to input signal and measurement range) - RTD: Pt 100 Ω, KSPt 100 Ω - DC voltage input: 1 ~ 5 V d.c., 0 ~ 10 V d.c., -10 ~ 20 mV d.c., 0 ~ 100 mV d.c. (Free scale method)
Sampling cycle	250 ms
Input display resolution	Basically below the decimal point of "Measurement range index"
Input impedance	Thermocouple and DC voltage input (mV): 1 MΩ min., DC voltage input(V): approx. 1 MΩ
Allowable signal source resistance	Thermocouple: 250 Ω max., voltage: 2 kΩ max.
Allowable wiring resistance	- RTD: 10 Ω max./wire (conductor resistance among 3 wires should be the same)
Allowable input voltage	- Within ±10 V (thermocouple, RTD, voltage: mV d.c.) - Within ±20 V (voltage: V d.c.)
Noise removal rate	- NMRR (normal mode): 40 dB min. (50/60 Hz ±1%) - CMRR (common mode): 120 dB min. (50/60 Hz ±1%)
Standards	- Thermocouple/RTD (KS/IEC/DIN)
Standard contact compensation tolerance	±1.5 °C (15 ~ 35 °C), ±2.0 °C (0 ~ 50 °C)
Input disconnection detection (BURN-OUT)	- Thermocouple: OFF, UP/DOWN scale selectable - RTD: UP Scale (detection current during thermocouple and RTD BURN-OUT: approx. 50 mA)
Accuracy	Display and record accuracy: ±0.5% (Full Scale)
Input range	Refer to "Input signal and measurement range". Thermocouple and RTD can be changed within the range of input signal and measurement range chart. DC voltage can change the minimum voltage and maximum voltage within each range. Scaling possible within the conditions of measurement range.

### Output

Alarm output	Relay contact output	- Contact capacity: 240 V a.c. 1 A, 30 V d.c. 1 A (resistive load) - Contact configuration: 1a - Output contacts: 2 (AL1, AL2)
Control output (the output type can be selected from relay, SCR or SSR)	Relay contact output	- Contact capacity: 240 V a.c. 3 A, 30 V d.c. 3 A (resistive load), contact configuration: 1C - Output operation: PID, ON/OFF, proportional cycle: 1 ~ 1,000 sec. - Output limit: 0.0~100.0% range high limit (OH), low limit (OL) selectable, also during auto-tuning. - ON/OFF hysteresis: 0 ~ 100% (Full Scale) - Time resolution: lower between 0.1% or 10 ms
	SSR output (voltage pulse output)	- ON voltage: approx. 12 V d.c. min. (load resistance 400 Ω, approx. 30 mA current limit during short circuit) - OFF voltage: 0.1 V d.c. max., proportional cycle: 1 ~ 1,000 sec. - Output operation: PID - Output limit: 0.0~100.0% range high limit (OH), low limit (OL) selectable, also during auto-tuning. - Time resolution: lower between 0.1% or 10 ms.
SCR output (4 ~ 20 mA d.c.)		- Load resistance: 400 Ω max. - Accuracy: ±0.5% of max. scale (4 ~ 20 mA range), resolution: approx. 3,000 - Output ripple: max. ±0.3% (P-P) of max. scale (150 Hz) - Output sampling cycle: 250 ms, output operation: continuous PID - Output limit: -5.0~105.0% range high limit (OH), low limit (OL) selectable, also during auto-tuning

### Function

Measurement input	- Input calibration (Bias): -100.0~100.0% for instrument range (can calibrate the desired correction value to the measurement input value) - Scaling: measurement range scaling is possible according to maximum value (SH) and minimum value (SL) settings of measurement range. - Input filter: OFF, 1 ~ 120 sec.
Control	- PID groups: 3 types - Auto-tuning: auto-tuning operates according to set value (SV) (standard type, low PV type) - Proportional band: 0.1 ~ 999.9% (max. range) - Integral time: OFF, 1 ~ 6000 sec. - Derivative time: OFF, 1 ~ 6000 sec. - ON/OFF control: by selecting output code (OT) "1" - PID selection: ZONE PID / Auto 1, 2, 3 selectable. - Manual reset: -5.0 ~ 105.0% of output (valid only when integral time is "OFF") - Direct/reverse action selection: selectable by parameter. - Emergency output value: -5.0 ~ 105.0% of output value - ON/OFF hysteresis (HYS): 0.0~100.0% of instrument range (however, valid only if set to ON/OFF control) - ARW (Anti Reset Wind-up): AUTO, 50.0 ~ 200.0% - Fuzzy function: ON or OFF selection by parameter - Ramp function: the rising temperature and falling temperature gradient can be set in hours or minutes when the power is on.
Alarm output	- Set contacts: 2 (1 contact per channel, 1-channel type only supports alarm 1 contact) - Alarm types: high/low, high/low deviation, hold high/low, heater break (refer to "alarm type and code" table) - Setting range: during absolute value alarm: 0 ~ 100% of instrument range during deviation alarm: -100 ~ 100% of instrument range
Record	- Measuring points: 1 - Response time: according to record speed - Record type: thermal line - Printing method: 203 dpi (8.0 dots/mm) 384 dots per line - Recording speed: 20, 30, 60, 120, 180, 300, 600, 900 mm/h - Recorder paper check: if there is no paper the front display window P-END lamp turns on and record stops. - Recorder paper: width 57.5 mm, length approx. 16 m

### Operating environment

Installation environment	- Continuous vibration: (5 ~ 14 Hz): Forward width 1.2 mm max., - Continuous vibration: (4 ~ 150 Hz): 4.9 m/s max. - Short-time vibration: 14.7 m/s, 15 sec max. (each of 3 directions) - Shock: 147 m/s, 11 ms max. (6 directions each 3 times) - Panel dimensions: refer to "dimension and panel cutout"
Normal operating conditions	- Ambient temperature: 0 ~ 50 °C - Ambient humidity: 35 ~ 85%RH (with no condensation) - Magnetic influence: 400 AT/m max. - Warm-up time: 30 minutes min.
Ambient temperature influence	- Thermocouple, voltage input: ±1 μV/°C or ±0.01%/°C of max. range - RTD input: ±0.05 Ω/°C max. - Analog output: Max. ±0.05%/°C of max. range (continuous output)

### Power supply

Power voltage	100 ~ 240 V a.c. (voltage fluctuation rate ±10%)
Power frequency	50 ~ 60 Hz
Power consumption	15 W max., 20 VA max.
Insulation resistance	Between primary terminal and secondary terminal: 500 V d.c. 20 MΩ min.
	Between primary terminal and ground: 500 V d.c. 20 MΩ min.
	Between secondary terminal and ground: 500 V d.c. 20 MΩ min.
Dielectric strength	Between primary terminal and secondary terminal: 2,300 V a.c. 50/60 Hz for 1 minute
	Between primary terminal and ground: 2,300 V a.c. 50/60 Hz for 1 minute Between secondary terminal and F-G: 1,500 V a.c. 50/60 Hz for 1 minute

### Interface

Standard	EIA RS485
Maximum number of connections	max. 31 (1 ~ 99 address settings available)
Communication method	2-wire half-duplex
Synchronization	Asynchronous
Communication sequence	None
Communication distance	Within 1.2 km
Communication speed	2400(setting value 2), 4800(setting value 3), 9600(setting value 4), 14400(setting value 5), 19200(setting value 6) (communication speed changes by parameter settings)
START BIT	1 BIT
DATA BIT	7 or 8 BIT
PARITY BIT	None, Even Numbers, Odd numbers
STOP BIT	1 or 2 BIT
PROTOCOL	PC LINK(setting value 0), PC LINK SUM(setting value 1), MODBUS-ASCII(setting value 2), MODBUS-RTU(setting value 3)
RESPONSE TIME	Reception handling time + response time × 10 ms

### Input signal and measuring range

#### CAUTION

- Measuring input wiring
- When wiring the measuring input line, disconnect the controller body and external power supply.
- Pay attention to the polarity of the input and wire the input signal between the power circuit and the ground circuit.
- Use shielded wire for input wiring and ground the shield with 1 contact.

Input signal	Input code	Input type	Symbol	Range (°C)	Accuracy	
Thermocouple (TC)	1	K	*2	K	-200 ~ 1370	±0.5% of FS ±1 digit
	2	K	*2	L	-199.9 ~ 999.9	
	3	J	*2	J	-199.9 ~ 999.9	
	4	E	*2	E	-199.9 ~ 999.9	
	5	T	*2	T	-199.9 ~ 400.0	
	6	R	*2	r	0 ~ 1700	
	7	B	*1	b	0 ~ 1800	
	8	S		S	0 ~ 1700	
	9	L	*2	L	-199.9 ~ 900.0	
	10	N		n	-200 ~ 1300	
	11	U	*2	U	-199.9 ~ 400.0	
	12	W		W	0 ~ 2300	
	13	Platinel II		Pl II	0 ~ 1390	
RTD	20**	KSPt100 Ω	*3	JPI	-199.9 ~ 500.0	±0.5% of FS ±1 digit
	21**	Pt100 Ω	*3	PI	-199.9 ~ 640.0	
	30	1 ~ 5 V d.c.		dV	scalable range	
DC voltage (VDC/mVDC)	31	0 ~ 10 V d.c.		dV	SL-L: 1999 SL-H: 9999	
	32	-10 ~ 20 mV d.c.		dV m		
	33	0 ~ 100 mV d.c.		dV n		
Direct current	30**	4 ~ 20 mA d.c.		dC	**When using current input, install the 250 Ω 0.1% resistor on input signal terminal.	

- Remarks
- "Digit" is the minimum display value
- \* 1) 0 ~ 400 °C range: ± 0.1% of FS ± 1 digit
- \* 2) 0 °C and less: ± 0.1% of FS ± 1 digit
- \* 3) -150.0 ~ 150.0 °C range: ± 1.0% of FS ± 1 digit
- "FS" is from the minimum value to the maximum value of each range measurable range.
- When selecting the input type, set the input code in the set value display window (SV). However, at this time, do not set numbers not present in the input code of the input signal.

### Alarm types and codes

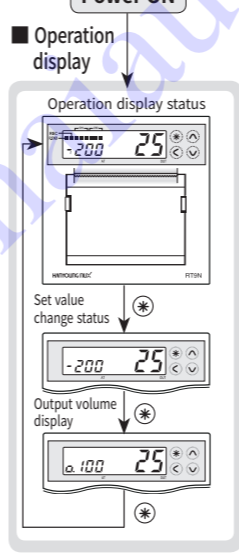
(Note): In case of reverse selection, the output will be OFF when the indicator lamp is ON.

Code	Alarm type	Operation
1	High absolute (NO)	
2	Low absolute (NO)	
*3	High deviation (NO)	
*4	Low deviation (NO)	
*5	High deviation (NC)	
*6	Low deviation (NC)	
*7	High-Low deviation	
*8	High-Low deviation range	
9	High absolute (NC)	
10	Low absolute (NC)	
11	High absolute (NO, hold function)	
12	Low absolute (NO, hold function)	
*13	High deviation (NO, hold function)	
*14	Low deviation (NO, hold function)	
*15	High deviation (NC, hold function)	
*16	Low deviation (NC, hold function)	
*17	High-Low deviation (hold function)	
*18	High-Low deviation range (hold function)	
19	High absolute (NC, hold function)	
20	Low absolute (NC, hold function)	
21	no recorder paper	

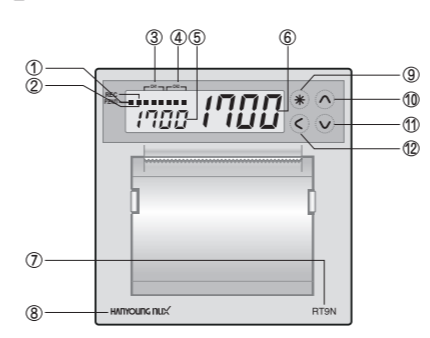
\* Marked alarm types are not available for RT9N-0 recorders. The recorder & temperature controller models (RT9N-1) cannot be used with control output 0.

### Parameter configuration

#### Operation display



### Part names and functions



#### CAUTION

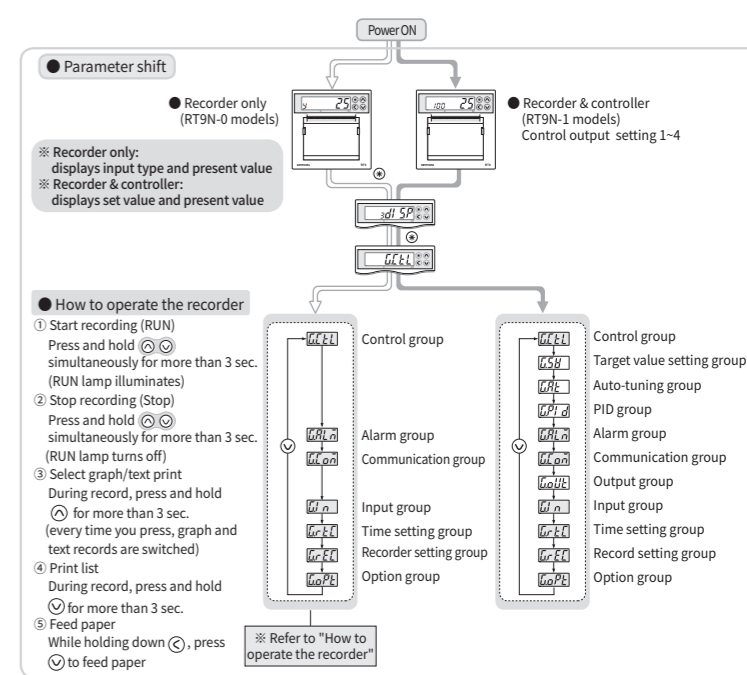
- To operate the keys, press firmly until you feel the fingertip touch
- Do not press the keys with pointed objects (such as pen nibs, etc.), as it may cause key breakdowns.

NO	Name	Functions
9	Mode button	Changes the mode
10	Increase button	Increases the set value
11	Reduction button	Reduces the set value
12	Shift button	Shifts the set digits

NO	Name	Functions
1	P.END	ON when there is no paper
2	RUN	ON when recording is in progress
3	CH1	consists of AT, OUT, AL
4	CH2	AT: flashes during auto-tuning OUT: ON during control output operation AL: ON during alarm operation
5	Set value (SV) display	Displays set value during operation (green), and several other parameters during function setting (however RT9N-0 displays input type).
6	Present value (PV) display	Displays present value during operation (CH1: red, CH2: green), Displays several modes during function setting.
7	RT9N	Model name
8	HANYOUNG NUX	Manufacturer

### Setting method

- When the power is turned on after the wiring, the management version is displayed on the display, and the measured value and set value are displayed as below (RT9N-0 models only display input type and present value).
- This time, to set a display level of the set items, you can enter  $\square \square \square \square \square \square$  setting mode by pressing and holding  $\odot$  for more than 3 sec. The initial value is set as level 3.
- When  $\square \square \square \square \square \square$  is displayed, if you press  $\odot$ , control group (G.CTL) will be displayed. Set each group-related parameter according to the purpose of use.



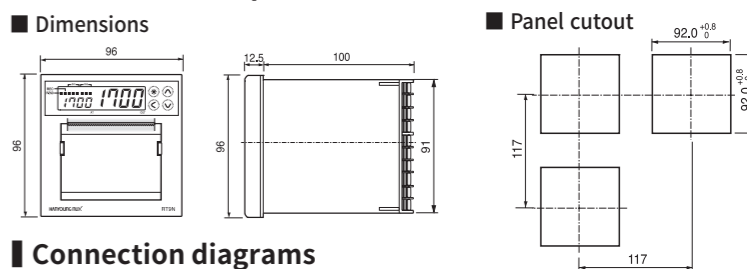
### Parameter structure

- Recorder only (RT9N-0 models):
- Control group
- Alarm group
- Communication group (optional)
- Input group
- Time setting group
- Record setting group
- Only option group is displayed
- Temperature controller & recorder (RT9N-1 models): same also when the control output is set to "0"

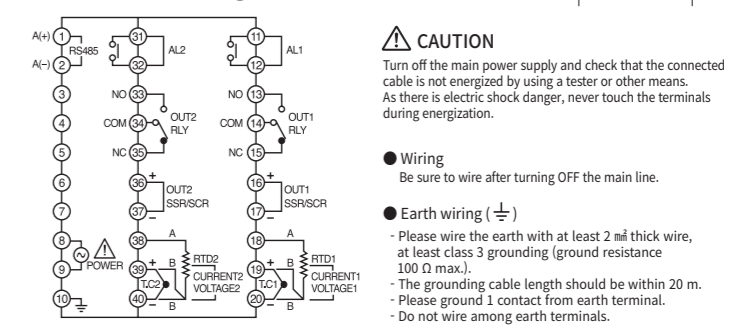
#### CAUTION

- In parameter setting mode, there are input/output functions and control function setting modes, but please do the setting in the input/output sequence.
- If you change the specifications of input-output after setting the other parameters, some parameter values will be initialized.
- Any parameter may not be displayed depending on the controller type, additional specifications, control type, type selection.

### Dimensions and panel cutout



### Connection diagrams



For further information, please visit our homepage (www.hynux.com) and refer to the user's manual in the archive.

# 2채널 온도조절 기록계 RT9N

**HANYOUNG NUX**  
KSA

**(주)한영닉스**  
인천광역시 미추홀구 길파로 71번길 28  
고객지원센터 1577-1047  
http://www.hynux.com

**취급설명서**

(주)한영닉스의 제품을 구입하여 주셔서 대단히 감사합니다.  
본 제품을 사용하시기 전에 취급설명서를 잘 읽은 후에 올바르게 사용해 주십시오.  
또한, 취급설명서는 언제나라도 볼 수 있는 곳에 반드시 보관해 주십시오.

## 안전상 주의사항

사용전에 안전에 관한 주의사항을 잘 읽어 주시고 올바르게 사용하여 주십시오.  
설명서에 표시된 주의사항은 중요도에 따라 **위험, 경고, 주의** 심별로 구분하고 있습니다.

<b>위험</b>	지키지 않을 경우, 사망 또는 중상이 이르는 결과를 낳는 절박한 위험 상황을 표시하고 있습니다.
<b>경고</b>	지키지 않을 경우, 사망 또는 중상이 발생할 가능성이 예상되는 내용을 표시하고 있습니다.
<b>주의</b>	지키지 않을 경우, 경미한 상해나 재산상의 손해가 발생할 가능성이 예상되는 내용을 표시하고 있습니다.

## 위험

입출력 단자는 안전의 위험이 있으니 신체 및 통전선이 절대로 접촉 되지 않도록 하십시오.

## 경고

- 본기의 고장이나 이상이 중대한 사고에 대한 우려가 있는 경우에는, 임부에 특별한 보호로를 설치하여 사고 방지를 도모하여 주십시오.
- 본기에 전원이 차단, 부르는 부하가 없지 않았으므로 외부에 별도로 설치하여 주십시오. (최소정격: 250V 0.5A)
- 본 기기의 파손방지 및 고장방지를 위하여 정격에 맞는 전원전압을 공급하여 주십시오.
- 감전방지 및 기고장방지를 위하여 모든 배선이 종료될 때 까지 전원을 투입하지 마십시오.
- 방폭구조가 아니므로 가연성, 폭발성 가스가 있는 장소에서는 사용하지 마십시오.

## 주의

- 사용시의 주위온도가 0 ~ 50 °C 의 범위를 초과하는 장소
- 사용시의 주위습도가 35 ~ 85 % RH의 범위를 초과하는 장소
- 온도변화가 급격하여 결로되는 장소
- 부식성 가스(특히 유황가스, 암모니아 등), 가연성 가스가 발생하는 장소
- 본체에 직접 진동, 충격이 가하여지는 장소
- 물, 기름, 악물, 증기가 있는 장소
- 타월과 안지, 염분, 절반이 많은 장소
- 유도장치가 크고 정전기, 자기노이즈가 발생하는 쉬운 장소
- 피사열을 받는 장소
- 배선시 등에 의한 열충격이 발생하는 장소
- 취부 또는 부속의 고장대(2개)를 고정물에 걸은 후 드라이버로 고정하여 주십시오. 고정 토크는 약 14.7 N · cm (1.5 kg · cm)입니다.
- 물이 들어갔을 때에는 누전, 화재의 위험성이 있으므로 필히 점검을 받아주십시오.
- 열전대 입력의 경우는 소정의 보상도선을 사용하여 주십시오.
- 측온저항체 입력의 경우는 리드선 저항이 작고, 3선전선 저항차가 없는 것을 사용하여 주십시오.
- 입력신호선은 유도노이즈의 영향을 피하기 위하여 전선선과 부하선으로 부터 멀리하여 주십시오.
- 입력신호선, 출력신호선은 서로 분리, shield (선)을 필히 사용하여 접지하여 주십시오.
- 측온저항체, 열전대는 비접지 센서를 사용하십시오.
- 노이즈가 많은 장소에는 대책을 강구하여 주십시오. 필레이 접점출력의 부하로 마그네트 콘택트를 접속하는 경우는 콘택트의 코일측에 써지흡수기 (Surge absorber)를 부착하여 주십시오.

## 형명구성

형 명	코드	내 용
RT9N-	□ □ □ □	2채널 온도조절 기록계 96(W) X 96(H) mm
제어타입	0	기록계 전용
	1	기록 및 온도제어
채널수	1	1채널
	2	2채널
선택사항	0	없음 (AL1 기본판재)
	1	AL2
	2	AL2, RS485 통신
	3	RS485 통신

## 제어출력구성

## 주의

- 제어출력의 배선
  - 제어출력을 배선 또는 제거 하는 경우는 반드시 조절계 본체 및 외부공급전원을 끊어 주십시오
  - 전압 Pulse / 전류출력에 배선에는 Shield선을 사용하여 주십시오

온도조절기록계	출력선택번호 (OUT1, OUT2)	출력종류
RT9N-1	0	출력없음 (기록계전용)
	1	릴레이 (ON/OFF제어)
	2	SSR (무접점릴레이)
	3	SCR (4 ~ 20 mA d.c.)
	4	릴레이 (P.I.D제어)

## 사양

### 입력사항

입력의 종류	열전대: K, J, E, T, R, B, S, L, N, U, WRe 5-26, PL-II (입력신호와 측정레인지 참조) 측온저항체: Pt 100 Ω, KSPt 100 Ω 직류전압입력: 1 ~ 5 V d.c., 0 ~ 10 V d.c., -10 ~ 20 mV d.c., 0 ~ 100 mV d.c. (프리스케일방식)
샘플링주기	250 ms
입력표시분해능	기본적으로 "측정레인지표"의 소숫점 이하
입력임피던스	열전대 및 직류전압입력(mV): 1 MΩ 이상, 직류전압입력(V): 약 1 MΩ
허용신호원저항	열전대: 250 Ω 이하, 전압: 2 kΩ 이하
허용배선저항	측온저항체: 10 Ω 이하 / 1선 (단, 3선전선의 도체저항은 동일할 것)
허용입력전압	±10 V 이내 (열전대, 측온저항체, 전압: mV d.c.) ±20 V 이내 (전압: V d.c.)
감응계기비	NMRR (노말모드): 40 dB 이상 (50/60 Hz ±1 %) CMRR (콤모드): 120 dB 이상 (50/60 Hz ±1 %)
적용규격	열전대/측온저항체 (KS/IEC/DIN)
기준점보상오차	±1.5 °C (15 ~ 35 °C 사이), ±0.2 °C (0 ~ 50 °C 사이)
입력단선검출 (BURN-OUT)	열전대: OFF, UP/DOWN Scale 선택 측온저항체: UP Scale (열전대 및 측온저항체 BURN-OUT시 검출전류: 약 50 mA)
정도	지시 및 기록정도: ±0.5 % (Full Scale)
입력레인지	"입력신호와 측정범위" 참조 열전대, 측온저항체는 입력신호와 측정범위의 범위내에서 변경가능 직류전압은 각 레인지의 범위내에서 최소전압, 최대전압을 변경가능 측정범위의 조건내에서 스케일링(SCALING)가능

### 출력사항

경보출력	릴레이접점 출력	접점용량: 240 V a.c. 1 A, 30 V d.c. 1 A (저항부하) 접점정수: 1a 출력정수: 2점 (AL1, AL2)
제어출력 (출력종류의 선택은 릴레이, SCR, SSR 중 임의로 선택할 수 있습니다.)	릴레이접점 출력	- 접점용량: 240 V a.c. 3 A, 30 V d.c. 3 A (저항부하), 접점구성: 1C 출력용량: P.I.D, ON/OFF, 비례주기: 1 ~ 1,000 초 출력제한: 0.0 ~ 100.0 % 범위에서 상한(OH), 하한(OL)설정가능, 자동연산(AT)시에도 유효함. ON / OFF하스테티스: 0 ~ 100 % (Full Scale) - 시간분해능: 0.1 % 또는 10 ms 의 작은 쪽
	SSR 출력 (전압릴스 출력)	- ON전압: 약 12 V d.c. 이상 (부하저항 400 Ω, 단락시 약 30 mA 의 전류에 제한) - OFF전압: 0.1 V d.c. 이하, 비례주기: 1 ~ 1,000 초 출력용량: P.I.D 출력제한: 0.0 ~ 100.0 % 범위에서 상한(OH), 하한(OL)설정가능, 자동연산(AT)시에도 유효함. - 시간분해능: 0.1 % 또는 10 ms 의 작은 쪽
	SCR 출력 (4 ~ 20 mA d.c.)	- 부하저항: 400 Ω이하 정 도: 최대스케일의 ±0.5 % (4 ~ 20 mA 의 범위), 분해능: 약 3,000 출력제한: 최대스케일의 ±0.3 % (P-P) 이하 (150Hz) 출력정수주기: 250 ms, 출력특성: 연속 P.I.D 출력제한: -5.0~105.0%의 범위에서 상한(OH), 하한(OL)설정가능, 자동연산(AT)시에도 유효함.

### 기능사항

측정입력	- 입력보정(Bias): 계기레인지범위에 대하여 - 100.0~100.0 % (측정입력치의 희망하는 보정치 보정 가능) - 스케일링(Scaling): 측정 레인지의 최대값(SH), 최소값(SL)의 설정에 따라 측정레인지의 스케일링이 가능. - 입력필터(Filter): OFF, 1 ~ 120 초
제어	- PID그룹수: 3종 - 자동연산(Auto-Tuning): 지정된 목표값(SV)변화에 따라 자동연산(Auto Tuning)을 행함 (표준형, 저 PV형) - 비례대 P (Proportional Band): 0.1 ~ 999.9 % (최대대인자) - 적분시간 I (Integral Time): OFF, 1 ~ 6000 초. - 미분시간 D (Derivative Time): OFF, 1 ~ 6000 초. ON/OFF제어: 출력선택번호(OUT) 11 선택으로 가능. - P.I.D선택: ZONE PID/Auto 1, 2, 3 선택가능. - 수동리셋(Manual Reset): 출력의 - 5.0 ~ 105.0 % 출력 (단, 적분시간 "OFF" 일 경우에 한함) - 정동차/역동차 선택: 파라미터(Parameter) 변경에 따른 선택. - 비상시 출력값: 출력값의 - 5.0 ~ 105.0 % - ON/OFF하스테티스(HYS): 계기레인지의 0.0~100.0 % (단, ON/OFF제어에 설정했을 경우에 한함) - A.R.W/Anti Reset Wind-up: AUTO, 50.0 ~ 200.0 % - 퍼지(Fuzzy)기능선택: 파라미터에 의한 가능 "ON" 또는 "OFF" 선택. - 램프(Ramp)기능 선택: 전원ON시에 상승 온도 및 하강 온도 기울기를 시간 또는 분 단위로 설정가능.
경보출력	- 설정정수: 2점 (채널당 1점으로 1채널 타입은 경보 1점만 지원) - 경보종류: 상한, 상한-하한한정, 대기사, 하한, 히터단선 (경보종류 및 코드표 참조) - 설정방식: 절대값 경보시 ..... 계기 레인지의 0 ~ 100 % 편차 경보시 ..... 계기 레인지의 -100 ~ 100 %
기록관련	- 측정정수: 1점 - 응답시간: 기록속도에 따라서 변함. - 기록방식: Thermal line - 인자방식: 203 dpi (8.0 dots/mm) line당 384 dots - 기록속도: (20, 30, 60, 120, 180, 300, 600, 900) mm/h - 기록지정: 기록지가 없으면 전표표시 P-END의 램프가 켜지고 기록이 정지된다. - 기록지: 폭 57.5 mm, 길이 약 16 m

### 동작환경

설치환경	- 연속진동 (5 ~ 14 Hz): 전진폭 1.2 mm 이하, 연속진동 (4 ~ 150 Hz): 4.9 mm 이하 - 단시간 진동: 14.7 m/s <sup>2</sup> , 15초 이하 (각 3방향) - 충격: 147 m/s <sup>2</sup> , 11 ms 이하 (6방향 각3회) - 패널가공치수: 패널가공치수도 참조
정상동작 조건	- 주위온도: 0 ~ 50 °C - 주위습도: 35 ~ 85 %RH (단, 결로하지 않을 것) - 지개의 영향: 400 AT/m이하 - 예열시간(Warm-up Time): 30분 이상
주위온도의 영향	- 열전대, 전압입력: ±1 μV/°C 또는 계기레인지의 ±0.01 %/°C - 측온저항체 입력: ±0.05 Ω/°C 이하 - 아나로그(Analog)출력: 최대레인지의 ±0.05 %/°C 이하(연속출력)

### 전원사항

전원전압	100 ~ 240 V a.c. (전압 변동률 ±10 %)
전원주파수	50 ~ 60 Hz
소비전력	최대 15 W, 20 VA이하
절연저항	1차단자 - 2차단자 사이: 500 V d.c. 20 MΩ 이상
	1차단자 - GROUND 사이: 500 V d.c. 20 MΩ 이상
내 전압	1차단자 - 2차단자 사이: 2,300 V a.c. 50/60 Hz 1분간
	1차단자 - GROUND 사이: 2,300 V a.c. 50/60 Hz 1분간
	2차단자 - F-G 사이: 1,500 V a.c. 50/60 Hz 1분간

### 수송·보관조건

보관온도	-25 ~ 70 °C
보관습도	5 ~ 95 % RH (단, 결로하지 않을 것)
충격	포장상태에서 1 m 이하 (자연 낙하시)

### 입력신호와 측정레인지

## 주의

- 측정 입력 배선
  - 측정 입력 선을 배선 할 때는 조절계 본체 및 외부 공급전원을 끊어 주십시오.
  - 입력의 극성에 주의하시고 입력신호는 전위회로와 접지회로로 부터 사이를 두고 배선하여주십시오.
  - 입력의 배선은 SHIELD 처리되어 있는 것을 사용하고 SHIELD는 1점으로 접지하여 주십시오.

입력신호	선택번호	입력종류	표시기호	레인지 (°C)	정 도
열전대 (T.C)	1	K	*2	<i>K</i>	-200 ~ 1370
	2	K	*2	<i>K</i>	-199.9 ~ 999.9
	3	J	*2	<i>J</i>	-199.9 ~ 999.9
	4	E	*2	<i>E</i>	-199.9 ~ 999.9
	5	T	*2	<i>t</i>	-199.9 ~ 400.0
	6	R	*2	<i>r</i>	0 ~ 1700
	7	B	*1	<i>b</i>	0 ~ 1800
	8	S	*2	<i>s</i>	0 ~ 1700
	9	L	*2	<i>L</i>	-199.9 ~ 900.0
	10	N		<i>n</i>	-200 ~ 1300
	11	U	*2	<i>u</i>	-199.9 ~ 400.0
	12	W		<i>w</i>	0 ~ 2300
	13	Platinum II		<i>Pl II</i>	0 ~ 1390
측온저항체 (R.T.D)	20*	KSPt100 Ω	*3	<i>Pt</i>	-199.9 ~ 500.0
	21*	Pt100 Ω	*3	<i>Pt</i>	-199.9 ~ 640.0
	30	1 - 5 V d.c.		<i>dCB</i>	
직류전압 (V d.c./mV d.c)	31	0 - 10 V d.c.		<i>dCB</i>	±0.5% of FS ±1 digit
	32	-10 ~ 20 mV d.c.		<i>dLmB</i>	
	33	0 - 100 mV d.c.		<i>dLmB</i>	
직류전류	30*	4 ~ 20 mA d.c.		<i>dCB</i>	±0.5% of FS ±1 digit

- ※ 비교
  - Digit는 최소표시치
  - \*1) 0 ~ 400 °C 범위: ±10 % of F.S ±1 digit
  - \*2) 0 °C 이하: ±1.0 % of F.S ±1 digit
  - \*3) -150.0 ~ 150.0 °C 레인지: ±1.0 % of F.S ±1 digit

- FS는 각 레인지 측정가능 범위의 최소치에서 최대치 까지.
- 입력종류를 선택시에는 선택번호를 설정값 표시창(SV)에 설정한다. 단, 이때 입력신호 선택번호가 없는 번호를 설정하지 마십시오.

## 경보종류 및 코드

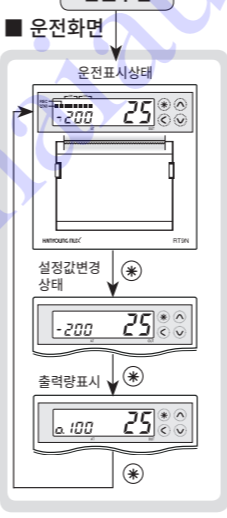
(주 의): 역접선택시에는 표시램프가 ON되었음에 출력이 OFF로 동작하므로 주의하시기 바랍니다.

코드번호	경보종류	동작도
1	상한절대 (정점)	
2	하한절대 (정점)	
*3	상한편차 (역점)	
*4	하한편차 (정점)	
*5	상한편차 (역점)	
*6	하한편차 (역점)	
*7	상-하한편차	
*8	상-하한편차 범위내	
9	상한절대 (역점)	
10	하한절대 (역점)	
11	상한절대 (정점, 홀드기능)	
12	하한절대 (정점, 홀드기능)	
*13	상한편차 (정점, 홀드기능)	
*14	하한편차 (정점, 홀드기능)	
*15	상한편차 (역점, 홀드기능)	
*16	하한편차 (역점, 홀드기능)	
*17	상-하한편차 (홀드기능)	
*18	상-하한편차 범위내 (홀드기능)	
19	상한절대 (역점, 홀드기능)	
20	하한절대 (역점, 홀드기능)	
21	기록지 없음	

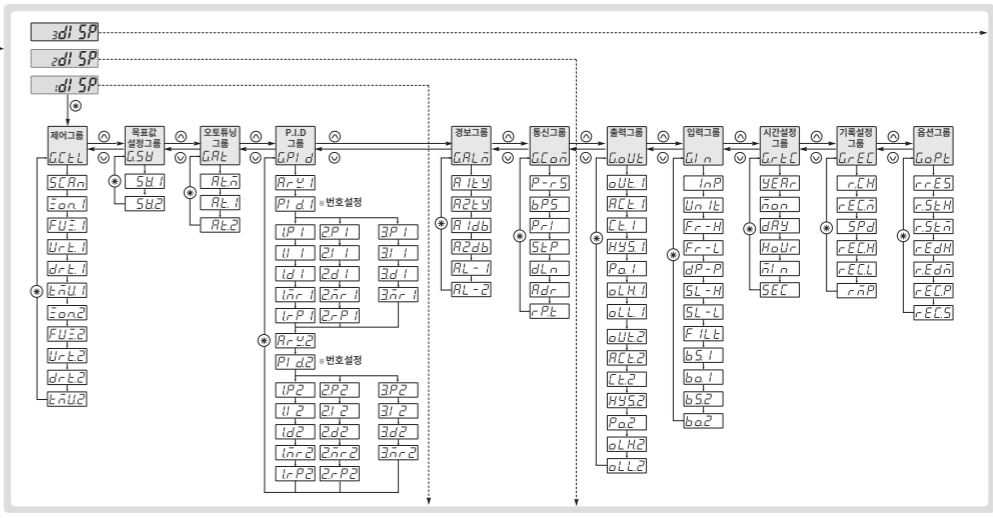
\* 표시 경보종류는 기록계 전용모델 (RT9N-이)에는 사용할 수 없습니다.  
기록 및 온도제어모델(RT9N-1)에는 제어출력 0인 경우 사용할 수 없습니다.

## 파라미터 구성

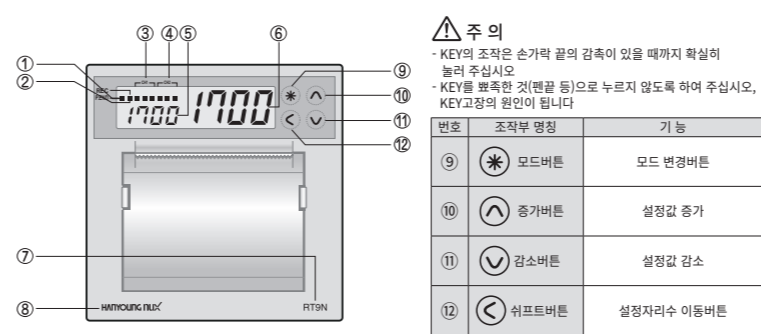
### 전원투입



### 메뉴화면



## 각부의 명칭



## 주의

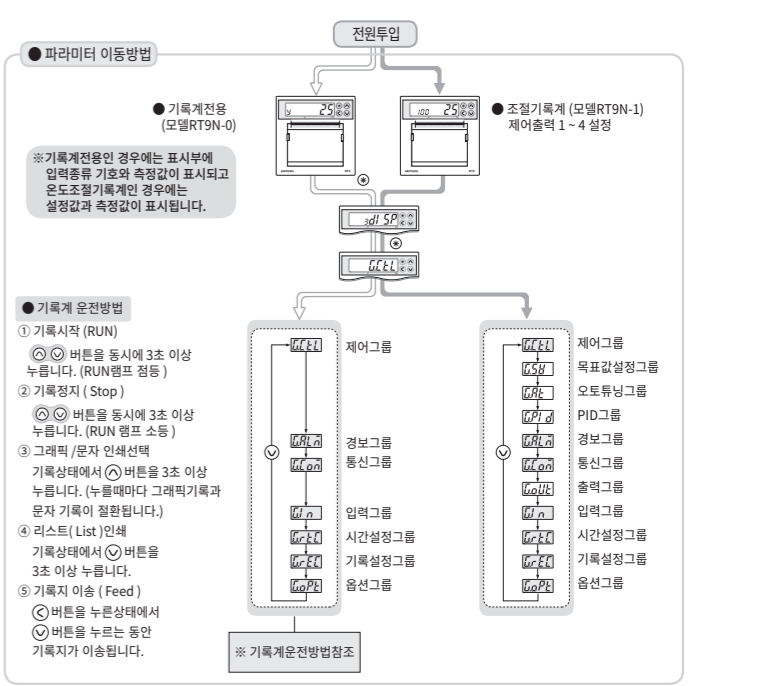
- KEY의 조작은 손가락 끝의 감촉이 있을 때까지 확실하게 눌러 주십시오.
- KEY를 뽐쪽한 것(원본 등)로 누르지 않도록 하여 주십시오. KEY고장의 원인이 됩니다

번호	조작부 명칭	기능
9	모드버튼	모드 변경버튼
10	증가버튼	설정값 증가
11	감소버튼	설정값 감소
12	쉬프트버튼	설정자리수 이동버튼

번호	표시부 명칭	기능
1	P.END	기록지가 없을때 ON.
2	RUN	기록중일때 ON.
3	CH1	AT, OUT, AL로 구성
4	CH2	AT, OUT, AL로 구성
5	Set value (SV) display	운전 상태에서 설정값 표시 (녹색), 기능 설정시 각종 파라미터 표시 단, 기록계 전용 모델일 때는 "입력종류" 표시
6	Present value (PV) display	운전 상태에서 측정값 표시 (CH1: 적색, CH2: 녹색) 기능 설정시 각종 모드 표시
7	RT9N	모델명
8	HANYOUNG NUX	제조사

## 설정방법

- 결선을 마친후 전원을 ON하면 표시부에 관리 버전을 표시한후 아래와 같이 측정값과 설정값 (기록계 전용인 경우 - 입력종류와 측정값 표시)을 나타냅니다.
- 이때 설정할용의 표시레벨을 지정하기 위하여 ① 버튼을 약 3초이상 누름으로 *sdI 5P* 설정모드로 진입 할 수 있으며 출하시에는 제 3 레벨이 설정되어있습니다.
- *sdI 5P* 표시상태에서 ② 버튼을 누르면 제어그룹 G.CTL이 표시됩니다. 사용목적에 맞게 그룹관련 파라미터를 설정합니다.



## 파라미터 구성

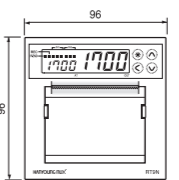
- 기록계전용 (모델: RT9N-0): 기록계전용 모델에서는
  - 제어그룹
  - 경보그룹
  - 통신그룹(선택사항)
  - 입력그룹
  - 시간설정그룹
  - 기록 설정그룹
  - 옵션 그룹안 표시됨.
  - 조절기록계 (모델: RT9N-1) 제어출력 "0"설정시에도 동일

## 주의

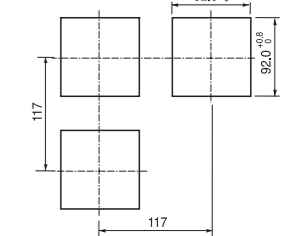
- 파라미터 설정모드중에서는 입,출력기능의 설정모드와 제어기능의 설정모드가 있으나 입,출력 기능의 순서로 설정하여 주십시오.
- 다른 파라미터를 먼저 설정한 후, 입력→출력의 사양을 변경하면 일부 파라미터의 값들이 초기화 됩니다.
- 각 파라미터는 조절계의 형식, 부가사항, 제어타입, 종용의 선택에 따라 표시되지 않는 것이 있습니다.

## 외형 및 패널 가공치수

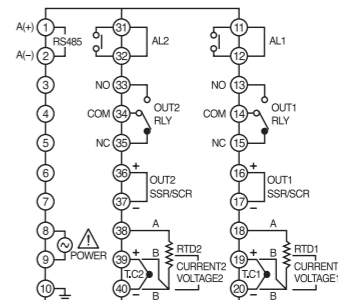
### 외형치수



### 패널가공치수



## 접속도



## 주의

- 공급되는 전원일꾼과, 연결되어있는 cable에 통전되지 않는 것을 Tester등으로 확인한후 작업을 하여 주십시오.
- 감전의 위험이 있으므로 통전중 단자에 절대로 접촉되지 않도록 하여 주십시오.
- 배선
  - 반드시 주전원을 OFF하고 배선하여 주십시오.
- 접지배선 (⏏)
  - 접지는 2 mm 이상의 굵은 전선으로 제 3종 접지 이상 (접지저항 100 Ω 이하)으로 배선하여 주십시오.
  - 접지 cable길이는 20 m 이내로 하여 주십시오.
  - 접지 단자로부터 1점 접지 하여 주십시오.
  - 접지 단자간의 걸치는 배선을 하지 마십시오.

※상세한 설명은 당사 홈페이지(www.hynux.com) 자료실에 있는 사용설명서를 참고하여 주시기 바랍니다.