

HY-700 series

Micro switch

- Certain operation and long life expectancy due to the snap action tool and strong chemical resistance case (phenolic resin)
- Excellent repetitive accuracy and 10A opening / closing capacity
- Standard type, hole gap of installation cutout dimension : 25.4mm, fix with M4 bolt
- 9 types of actuators provide wide usages
- Terminal protective cover (optional)



Specification

Contact structure	M4-5.5 screw tightening, 1c contact	
Contact material	AgCdO	
Protective structure	Standard type	
Rated current(Ie)	10 A 250 V a.c	
Dielectric strength	2,000 V a.c 50/60 Hz for 1min (between the terminal and non-recharging metal part)	
Insulation resistance	Min 100 M Ω (500 V d.c insulated ohmmeter)	
Contact resistance	Max 50 M Ω (default value)	
Rated voltage(Ue)	250 V a.c	
Vibration	Double amplitude 1.5mm, frequency 10 ~ 55 Hz, continuously 2 hour	
Shock	100 % (durability), 50 % (malfunction)	
Allowable operation speed	0.1 % ~ 1 %	
Life expectancy	Mechanical	Min 1 million times (less than open/close frequency 120 times/min)
	Electrical	Min 300 thousand times (less than open/close frequency 20 times/min)
Ambient temperature	-10 ~ 80 °C	
Ambient humidity	25 ~ 95 % R.H.	
Weight	Approx 800g (10 HY-R704B 1 box)	

Terminal arrangement

Appearance	Connection diagram

Control switch
Combination display light

Power switch
Main switch
Cam switch

Limit switch
Micro switch

Hoist switch
Foot switch
Mono lever switch

Sign tower
Signal light


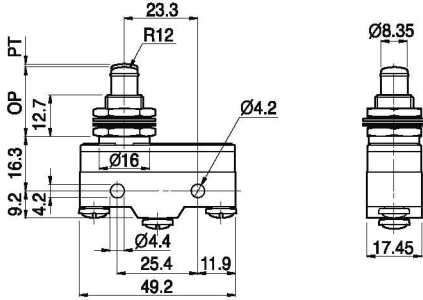
Buzzer
Terminal block
Fuse holder

Control box
Cable connector


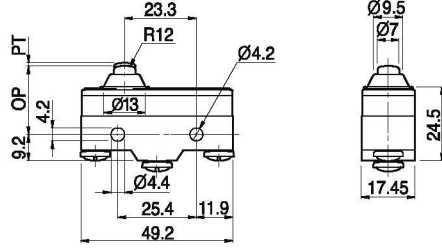
Discontinued Products

Dimension (unit : mm)


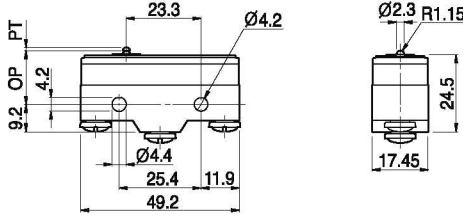
■ Panel mounting type

Appearance	Dimension	Operation characteristic
 <p>HY-P701A (Z4G1P05B)</p>		<p>O,F max : 3.73 N (380 gf) R,F min : 1.12 N (114 gf) P.T max : 1.0 mm O.T min : 5.2 mm M.D max : 0.13 mm O,P : 21.8 ±0.8 mm</p>


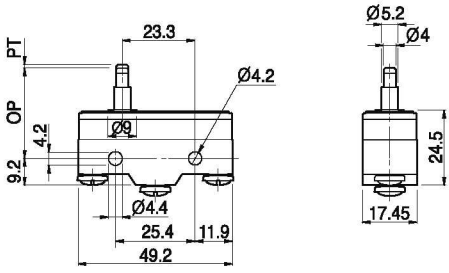
■ Spring single push button type

Appearance	Dimension	Operation characteristic
 <p>HY-P701B (Z4G1P09B)</p>		<p>O,F max : 3.73 N (380 gf) R,F min : 1.12 N (114 gf) P.T max : 1.0 mm O.T min : 1.3 mm M.D max : 0.13 mm O,P : 21.8 ±0.8 mm</p>

■ Pin push button type


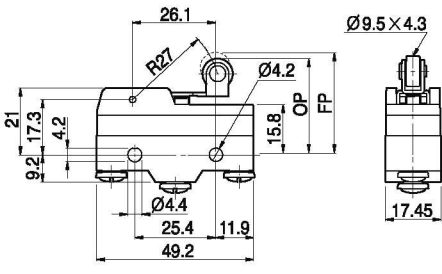
Appearance	Dimension	Operation characteristic
 <p>HY-P701C (Z4G1P01B)</p>		<p>O,F max : 3.73 N (380 gf) R,F min : 1.12 N (114 gf) P.T max : 1.0 mm O.T min : 0.13 mm M.D max : 0.13 mm O,P : 16.0 ±0.5 mm</p>

■ Spring stander push button type

Appearance	Dimension	Operation characteristic
 <p>HY-P701D (Z4G1P03B)</p>		<p>O.F max : 3.73 N (380 gf) R.F min : 1.12 N (114 gf) P.T max : 1.0 mm O.T min : 1.3 mm M.D max : 0.13 mm O.P : 28.2 ±0.6 mm</p>


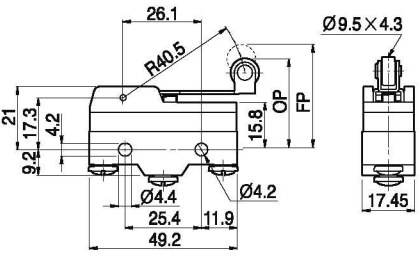
Control switch
Combination display light
Power switch
Main switch
Cam switch

■ Hinge roller single lever type

Appearance	Dimension	Operation characteristic
 <p>HY-R704A (Z4G1L07B)</p>		<p>O.F max : 1.57 N (160 gf) R.F min : 0.27 N (28 gf) P.T max : 5.0 mm O.T min : 2.0 mm M.D max : 1.2 mm O.P : 30.2 ±1.0 mm</p>

Limit switch
Micro switch
Hoist switch
Foot switch
Mono lever switch
Signal tower
Signal light


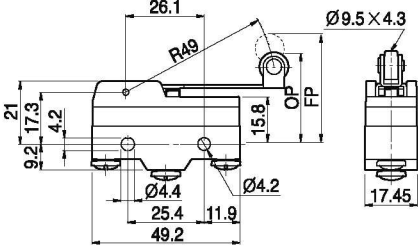
■ Hinge roller middle lever type

Appearance	Dimension	Operation characteristic
 <p>HY-R704B</p>		<p>O.F max : 1.18 N (120 gf) R.F min : 0.2 N (28 gf) P.T max : 5.0 mm O.T min : 2.0 mm M.D max : 1.2 mm O.P : 30.2 ±1.0 mm</p>


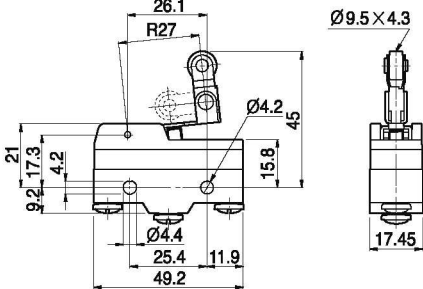
Buzzer
Terminal block
Fuse holder
Control box
Cable connector
Discontinued Products

Codienna.com


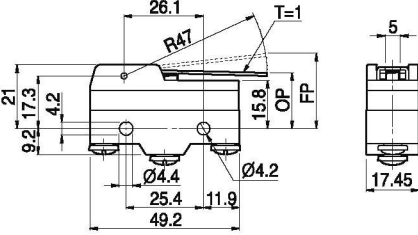
■ Hinge roller lever type

Appearance	Dimension	Operation characteristic
 <p data-bbox="248 600 358 653">HY-R704C (Z4G1L03B)</p>		<p data-bbox="1005 388 1222 413">O.F max : 0.98 N (100 gf)</p> <p data-bbox="1005 426 1205 452">R.F min : 0.14 N (14 gf)</p> <p data-bbox="1005 465 1158 490">P.T max : 8.0 mm</p> <p data-bbox="1005 504 1158 529">O.T min : 3.6 mm</p> <p data-bbox="1005 542 1158 568">M.D max : 2.4 mm</p> <p data-bbox="1005 581 1182 606">O.P : 30.2 ±1.0 mm</p>


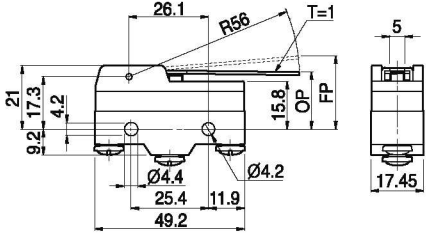
■ 2 positions roller lever type

Appearance	Dimension	Operation characteristic
 <p data-bbox="239 1074 365 1099">HY-R704-2W</p>		<p data-bbox="1005 861 1222 886">O.F max : 0.98 N (100 gf)</p> <p data-bbox="1005 900 1205 925">R.F min : 0.14 N (14 gf)</p> <p data-bbox="1005 938 1158 964">P.T max : 8.0 mm</p> <p data-bbox="1005 977 1158 1002">O.T min : 3.6 mm</p> <p data-bbox="1005 1016 1158 1041">M.D max : 0.5 mm</p> <p data-bbox="1005 1054 1182 1079">O.P : 43.2 ±1.4 mm</p>

■ Single position lever type


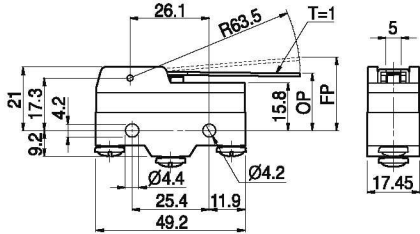
Appearance	Dimension	Operation characteristic
 <p data-bbox="254 1562 351 1588">HY-L707A</p>		<p data-bbox="1005 1346 1222 1371">O.F max : 1.57 N (160 gf)</p> <p data-bbox="1005 1385 1205 1410">R.F min : 0.27 N (28 gf)</p> <p data-bbox="1005 1423 1158 1449">P.T max : 5.0 mm</p> <p data-bbox="1005 1462 1158 1487">O.T min : 2.0 mm</p> <p data-bbox="1005 1501 1158 1526">M.D max : 1.2 mm</p> <p data-bbox="1005 1539 1182 1564">O.P : 19.1 ±1.0 mm</p>

■ Middle lever type

Appearance	Dimension	Operation characteristic
 <p>HY-L707B</p>		<p>O.F max : 1.18 N (120 gf) R.F min : 0.20 N (20 gf) P.T max : 6.5 mm O.T min : 2.8 mm M.D max : 1.8 mm O.P : 19.1 ±1.0 mm</p>

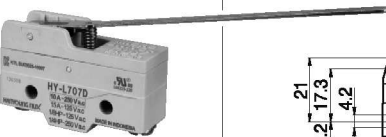
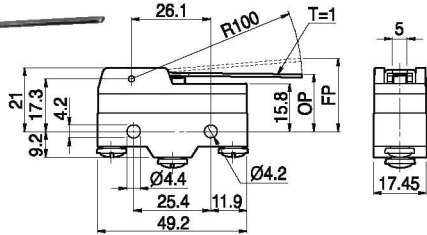
Control switch
Combination display light
Power switch
Main switch
Cam switch

■ Hinge lever type

Appearance	Dimension	Operation characteristic
 <p>HY-L707C (Z4G1L01B)</p>		<p>O.F max : 0.98 N (100 gf) R.F min : 0.14 N (14 gf) P.T max : 1.0 mm O.T min : 4.0 mm M.D max : 2.4 mm O.P : 19.1 ±1.0 mm</p>

Limit switch
Micro switch
Hoist switch
Foot switch
Mono lever switch
Signal tower
Signal light


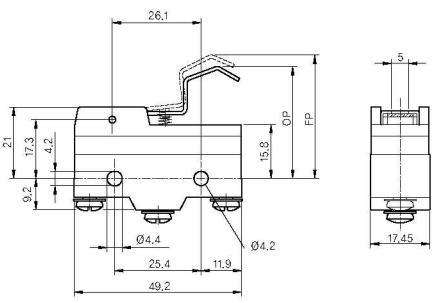
■ Special lever type

Appearance	Dimension	Operation characteristic
 <p>HY-L707D</p>		<p>O.F max : 0.78 N (80 gf) R.F min : 0.1 N (10 gf) P.T max : 1.4 mm O.T min : 5.6 mm M.D max : 3.5 mm O.P : 19.1 ±1.0 mm</p>

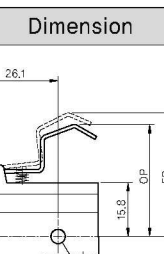
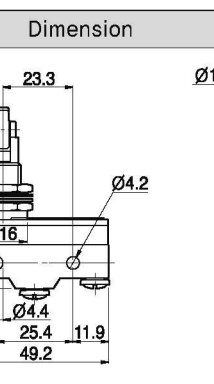
Buzzer
Terminal block
Fuse holder
Control box
Cable connector
Discontinued Products

Codienna.com

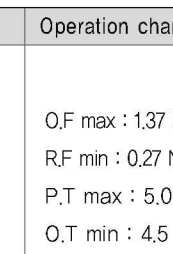
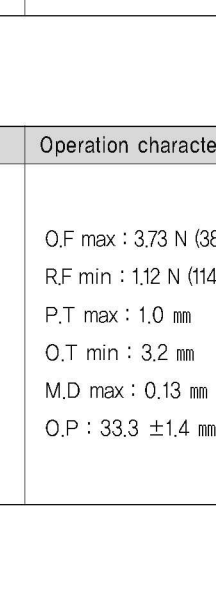
■ Hunge Special lever type

Appearance	Dimension	Operation characteristic
 <p>HY-L707S</p>		<p>O.F max : 1.37 N (140 gf) R.F min : 0.27 N (28 gf) P.T max : 5.0 mm O.T min : 4.5 mm M.D max : 1.2 mm O.P : 33.0 ±1 mm</p>

■ Roller panel mounting type (Vertical)

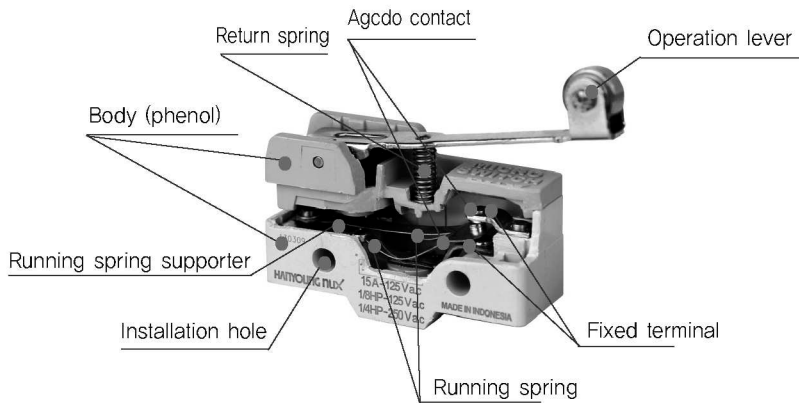
Appearance	Dimension	Operation characteristic
 <p>HY-PR708A</p>		<p>O.F max : 3.73 N (380 gf) R.F min : 1.12 N (114 gf) P.T max : 1.0 mm O.T min : 3.2 mm M.D max : 0.13 mm O.P : 33.3 ±1.4 mm</p>

■ Roller panel mounting type

Appearance	Dimension	Operation characteristic
 <p>HY-PR708B (Z4G1P07B)</p>		<p>O.F max : 3.73 N (380 gf) R.F min : 1.12 N (114 gf) P.T max : 1.0 mm O.T min : 3.2 mm M.D max : 0.13 mm O.P : 33.3 ±1.4 mm</p>

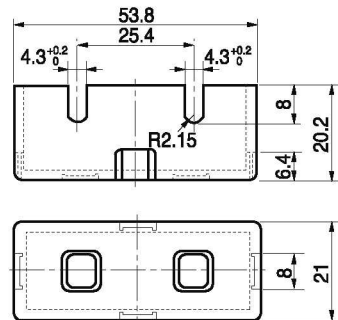
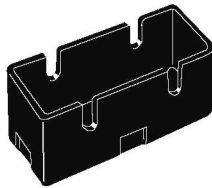
● Structure

■ Internal structure

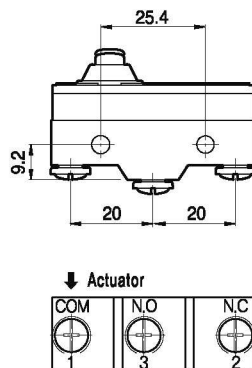


■ Terminal protective cover

MS-10



■ Dimension and terminal arrangement



Control switch
Combination display light

Power switch
Main switch
Cam switch

Limit switch
Micro switch

Hoist switch
Foot switch
Mono lever switch

Sign tower
Signal light

Buzzer
Terminal block
Fuse holder

Control box
Cable connector

Discontinued Products

Codienhaiuu.com